

## Flame Test

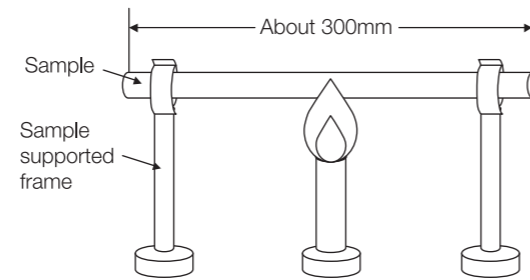
Flame retardance's characteristic of each series is carried out as in the figure.

### 1. Flame retardance Horizontal test

① The adaptation safety standard JIS C 3005 4.26.2 b) Inclination test

② Test method

It supported horizontally a sample about 300mm taken from the finished product, then put the lower side of the central portion of the sample on the tip of the reducing flame until ignition within 30 seconds. After the flame goes out, examine the extent of the combustion that the sample.

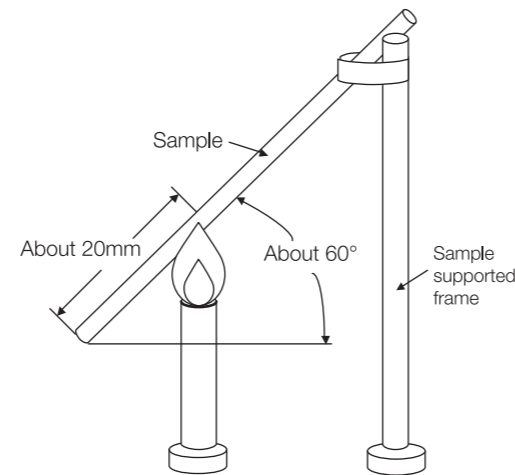


### 2. Flame retardance 60° Inclined test

① The adaptation safe standard JIS C 3005

② Test method

It support by inclining 60 degrees to the horizontal a sample about 300mm taken from the finished product, then put about 20mm from the lower end of the sample at the tip of the reducing flame until ignition within 30 seconds. After the flame goes out, examine the extent of the combustion that the sample.



### 3. Horizontal Flame test

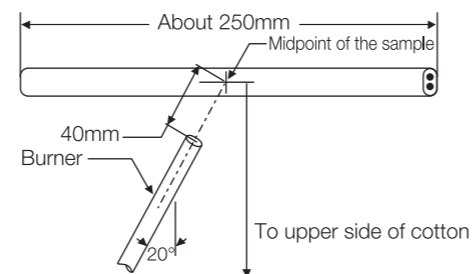
① The adaptation safety standard

CSA C22.2 No.25560 (FT2)

UL 2556 (FT2)

② Test method

It carried out flame-contact to a sample within 30 seconds. After the flame goes out, by the combustion distance and flaming droplets from sample, check cotton wool burn or not.



## Combustion Test

### 4. Vertical flame test

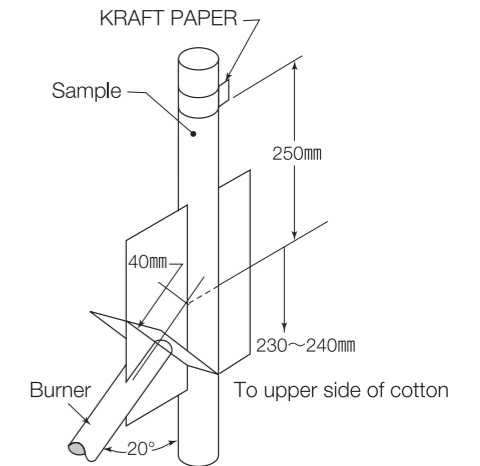
① The adaptation safety standard

UL 2556 (UL VW-1)

CSA C22.2 No.2556 (CSA FT1)

② Test method

Its standard define when it put the flame for 15 seconds five times at 15-second intervals, it does not burn for more than 60 seconds after each flame. And then flag was not burned more than 25% .



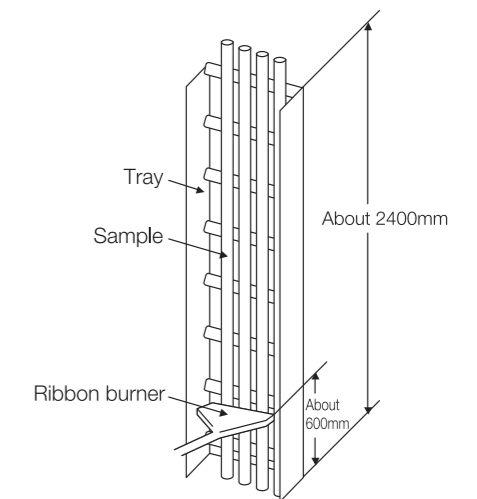
### 5. Vertical tray flame test

① The adaptation safety standard

UL 1685、 JIS C 3521

② Test method

It is defined that the number that becomes a 150mm width at half distance of the outer diameter of the cable is fixed on the vertical tray center, is burned by the ribbon burner for 20 minutes, then do not fire spread to cable top.



### 6. Vertical flame test

① The adaptation safety standard

CCC.....GB/T 18380.12

Electrical Appliance and Material Safety Law.....IEC 60332-1

EC instruction.....EN50265-2-1

② Test method(JIS C 3665-1)

It put the flame in the time is defined according to the outside diameter of the sample in succession. Criteria for passing is length(between the lower end of the upper support member and carbide end point of the upper)50 mm or more and less than the length (between lower end of the upper support member and carbide end point of the bottom)540mm.

